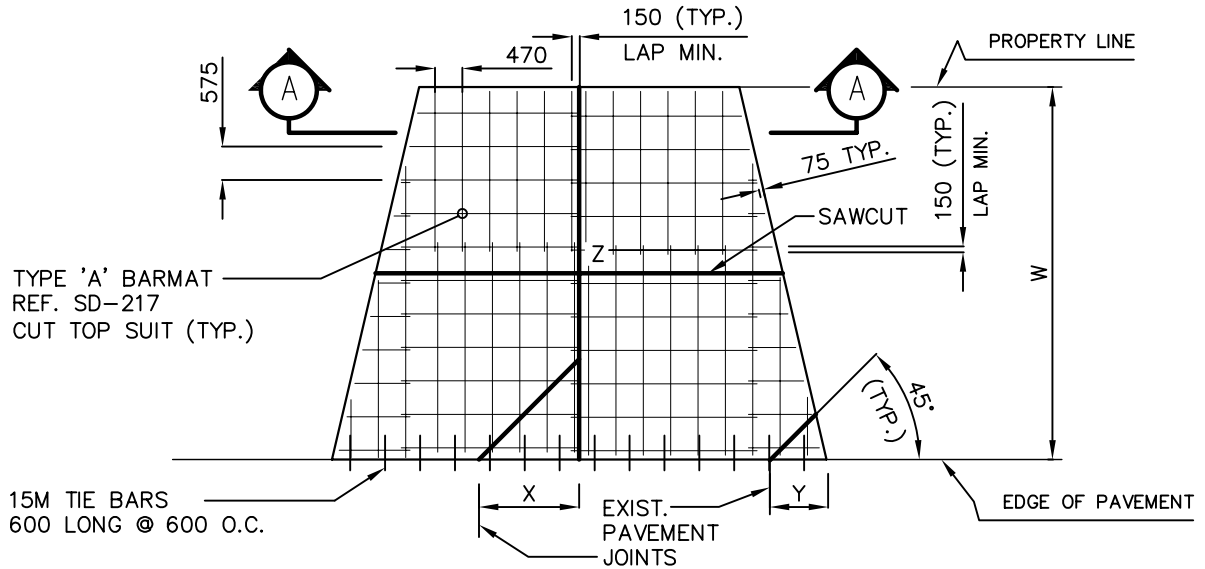
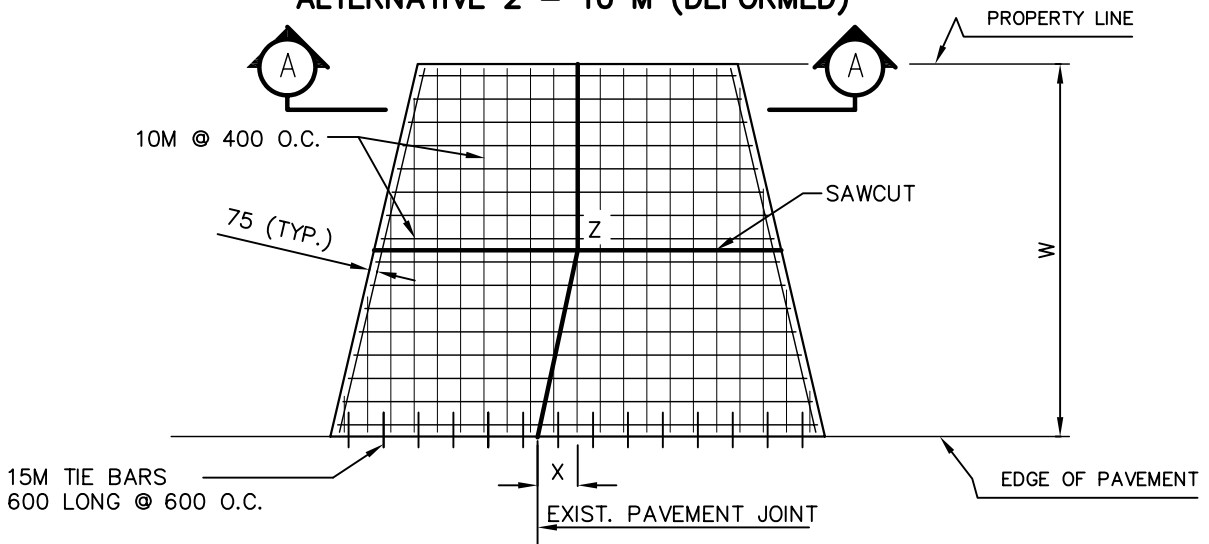


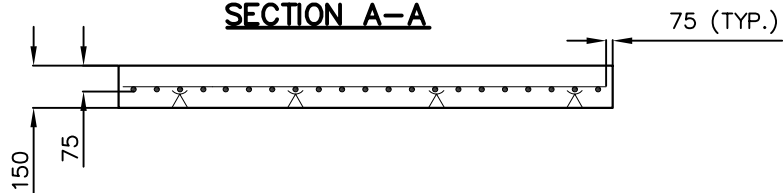
ALTERNATIVE 1 – BAR MATS (12.7 mm PLAIN)



ALTERNATIVE 2 – 10 M (DEFORMED)



SECTION A-A



NOTE:

- ALL SAW CUTS SHALL BE 50 mm DEEP BY 3 mm WIDE SAW CUTTING LAYOUTS SHOWN ARE TWO POSSIBLE OPTIONS.
IF "W" >4300 ADD SAWCUT AT W/2
IF "X" <1000 EXTEND SAWCUT TO POINT "Z"
IF "Y" <1000 NO SAWCUT REQUIRED.
- SUPPORT REINFORCING STEEL PRIOR TO PLACEMENT OF CONCRETE.

DIMENSIONS ARE IN MILLIMETRES



THE CITY OF WINNIPEG
PUBLIC WORKS DEPARTMENT

Reference Spec. No.
CW 3230, CW 3310

**RESIDENTIAL APPROACH
REINFORCING STEEL**

Designed By:
D.R.K.

Drawn By:
A. R.

Scale :
N.T.S.

Checked By:
D.R.K.

Date:
07-12-31

Drawing No.

Approved:
SURFACE WORKS COMMITTEE

SD-237