

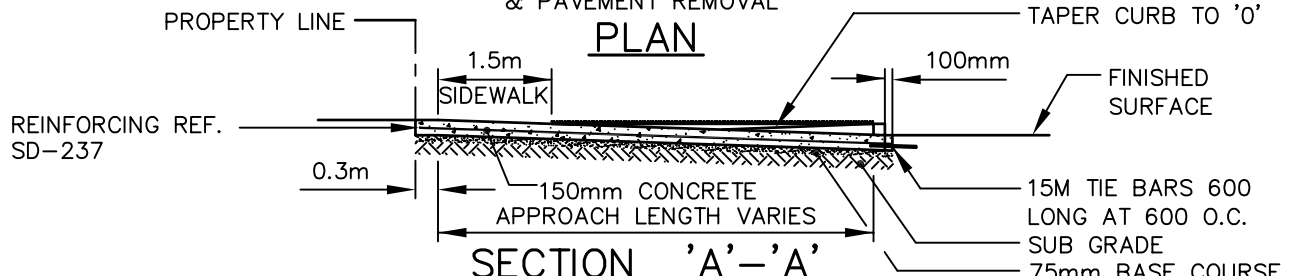
NOTE #1:  
SAW CUT AND REMOVE  
BARRIER CURB & PAV'T.

ROLL CURB TOWARD  
DRIVING SURFACE

EXTENT OF  
BARRIER CURB

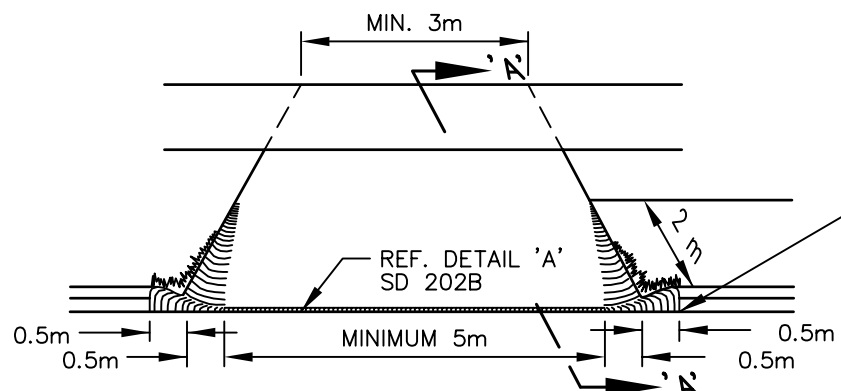
ROLL OFF THIS PORTION  
AS SHOWN BELOW

**PLAN**



**SECTION 'A'-'A'**

LONGITUDINAL SECTION THROUGH A TYPICAL PRIVATE  
APPROACH WITH A SIDEWALK CROSSING



**FRONTAL PERSPECTIVE OF FINISHED PRIVATE APPROACH**



**THE CITY OF WINNIPEG**  
PUBLIC WORKS DEPARTMENT

Reference Spec. No.  
CW 3230, CW3240, CW 3310

- NOTES:
- EXISTING SIDEWALK SHALL BE REMOVED AND THE APPROACH EXTENDED BACK TO THE PROPERTY LINE AS SHOWN.
  - M.H. ISOLATIONS TO BE APPROVED BY CONTRACT ADMINISTRATOR.
  - CONTRACTION JOINT AS REQUIRED TO MATCH STREET TRANSVERSE JOINTS.

**RESIDENTIAL APPROACH—CONCRETE**  
(WITH EXISTING BARRIER CURB)

Designed By: B.P.	Drawn By: T.G.A.	Scale : <b>N.T.S.</b>
Checked By: B.P.	Date: 09-02-02	Drawing No.
Approved: SURFACE WORKS COMMITTEE		<b>SD-235</b>