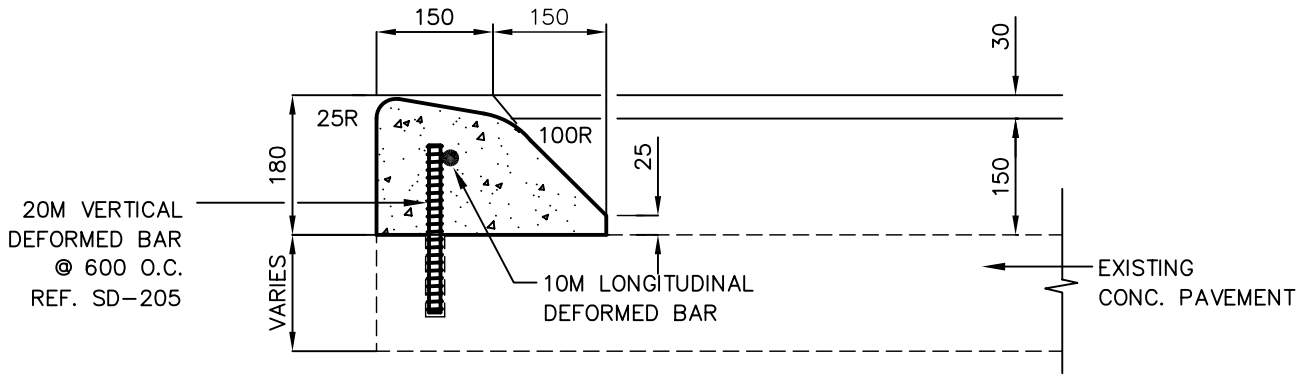
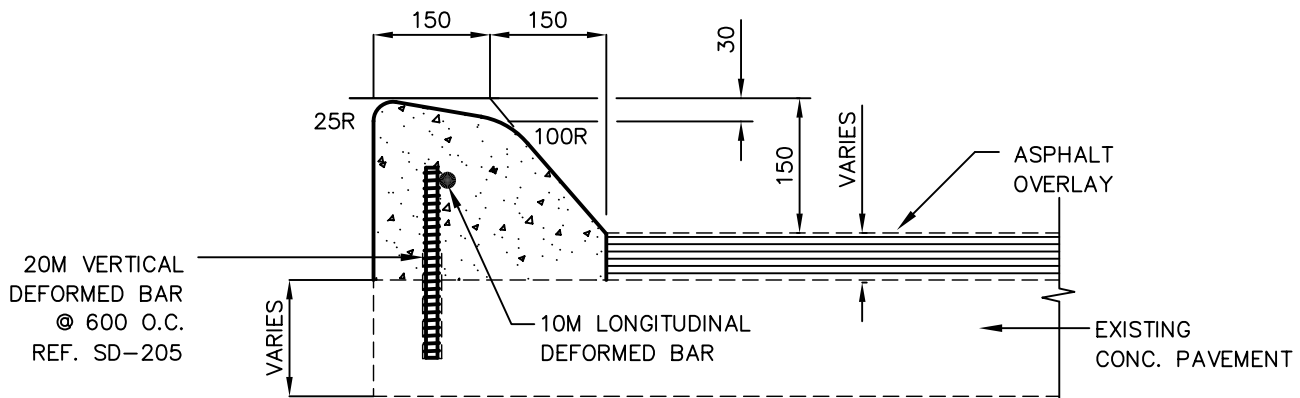


INTEGRAL MODIFIED BARRIER CURB



MODIFIED DOWELLED BARRIER CURB WITHOUT ASPHALT



MODIFIED DOWELLED BARRIER CURB WITH ASPHALT

- NOTE:
1. APPLICABLE FOR ALL INTERSECTION RADII, BACK LANE RADII AND BULLNOSES UNLESS NOTED OTHERWISE.
 2. TRANSVERSE SAW CUT EVERY 5000 OR AT PAVEMENT JOINTS.



THE CITY OF WINNIPEG
PUBLIC WORKS DEPARTMENT

Reference Spec. No.
CW 3240, CW 3310

DIMENSIONS ARE IN MILLIMETRES

MODIFIED BARRIER CURB

Designed By:
B.P.

Drawn By:
AP

Scale :
N.T.S.

Checked By:
D.R.K.

Date:
07-12-31

Drawing No.

Approved:
SURFACE WORKS COMMITTEE

SD-203B